



GIACOMINI

PE-X Pb

\* CW617N-EN 12165

\*

\*

\*

\*

\*

\*

EN681-1,

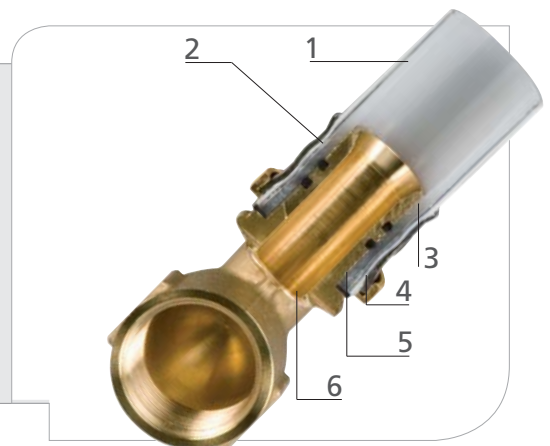
AISI 304.

CW614n-EN 12164.

1 MPa (10 bar).

110°C.

- 1.
- 2.
- 3.
- 4.
- 5.
- 6.





## RP102



GIACOFLEX,

GIACOTHERM,



		■	☐
RP102X012	14x2	10	-
RP102X003	16x2*	10	-
RP102X004	16x2,2	10	-
RP102X013	17x17	10	-
RP102X005	18x2	10	-
RP102X007	20x2*	10	-
RP102X008	20x2,5	10	-
RP102X009	26x3*	5	-
RP102X011	32x3*	5	-
RP102Y014	40x3,5	2	-
RP102Y015	50x4	2	-
RP102Y016	63x4,5	2	-

## RP103



GIACOFLEX,

GIACOTHERM,



		■	☐
RP103X010	(20x2)x(16x2)*	10	-
RP103X012	(20x2,5)x(16x2)	10	-
RP103X018	(26x3)x(20x2)*	10	-
RP103X019	(26x3)x(20x2,5)	5	-
RP103X022	(32x3)x(26x3)*	5	-
RP103Y064	40x3,5x26x3,0	2	-
RP103Y065	40x3,5x32x3,0	2	-
RP103Y075	50x4x32x3,0	2	-
RP103Y076	50x4x40x3,5	2	-
RP103Y086	63x4,5x40x3,5	2	-
RP103Y087	63x4,5x50x4	2	-

## RP107



GIACOTHERM, GIACOFLEX



		■	■
RP107X021	3/8" x(14x2)	10	-
RP107X023	3/8" x(16x2)	10	-
RP107X031	1/2" x(14x2)	10	-
RP107X033	1/2" x(16x2)*	10	-
RP107X034	1/2" x(16x2,2)	10	-
RP107X035	1/2" x(18x2)	10	-
RP107X037	1/2" x(20x2)*	10	-
RP107X038	1/2" x(20x2,5)	10	-
RP107X043	3/4" x(16x2)*	5	-
RP107X047	3/4" x(20x2)*	5	-
RP107X049	3/4" x(26x3)*	5	-
RP107X059	1" x(32x3)*	5	-
RP107Y066	1 1/4 x(40x3,5)	2	-
RP107Y077	1 1/2 x(50x4)	2	-
RP107Y088	2 x(63x4,5)	2	-



## RP109



GIACOTHERM, GIACOFLEX



		■	☐
RP109X031	1/2"x(14x2)	10	-
RP109X033	1/2"x(16x2)*	10	-
RP109X034	1/2"x(16x2,2)	10	-
RP109X035	1/2"x(18x2)	10	-
RP109X037	1/2"x(20x2)*	10	-
RP109X038	1/2"x(20x2,5)	10	-
RP109X043	3/4"x(16x2)*	5	-
RP109X047	3/4"x(20x2)*	5	-
RP109X049	3/4"x(26x3)*	5	-
RP109X059	1"x(32x3)*	5	-
RP109Y060	1 x(40x3,5)	2	-
RP109Y066	1 1/4 x(40x3,5)	2	-
RP109Y075	1 1/4 x(50x4)	2	-
RP109Y077	1 1/2 x(50x4)	2	-
RP109Y088	2 x(63x4,5)	2	-

## RP122



90°

GIACOTHERM, GIACOFLEX



		■	☐
RP122X012	14x2	10	-
RP122X003	16x2*	10	-
RP122X004	16x2,2	10	-
RP122X005	18x2	10	-
RP122X007	20x2*	10	-
RP122X008	20x2,5	10	-
RP122X009	26x3*	5	-
RP122X011	32x2*	5	-
RP122Y013	40x3,5	2	-
RP122Y014	50x4	2	-
RP122Y015	63x4,5	2	-

## RP127



90°  
GIACOFLEX

GIACOTHERM,



		■	☐
RP127X031	1/2"x(14x2)	10	-
RP127X033	1/2"x(16x2)*	10	-
RP127X034	1/2"x(16x2,2)	10	-
RP127X035	1/2"x(18x2)	10	-
RP127X037	1/2"x(20x2)*	10	-
RP127X038	1/2"x(20x2,5)	10	-
RP127X043	3/4"x(16x2)*	10	-
RP127X047	3/4"x(20x2)*	10	-
RP127X049	3/4"x(26x3)*	10	-
RP127Y066	1 1/4 x(40X3,5)	2	-
RP127Y077	1 1/2 x(50X4)	2	-
RP127Y088	2 x(63x4,5)	2	-

## RP129



90°  
GIACOFLEX

GIACOTHERM,



		■	☐
RP129X031	1/2"x(14x2)	10	-
RP129X033	1/2"x(16x2)*	10	-
RP129X034	1/2"x(16x2,2)	10	-
RP129X035	1/2"x(18x2)	10	-
RP129X037	1/2"x(20x2)*	10	-
RP129X038	1/2"x(20x2,5)	10	-
RP129X043	3/4"x(16x2)*	10	-
RP129X047	3/4"x(20x2)*	10	-
RP129X049	3/4"x(26x3)*	5	-
RP129X059	1"x(32x3)*	5	-
RP129Y066	1 1/4 x(40x3,5)	2	-
RP129Y077	1 1/2 x(50x4)	2	-
RP129Y088	2 x(63x4,5)	2	-



ISO 9001



## RP139



90°

GIACOTHERM, GIACOFLEX,



		■	☐
RP139X031	1/2"x(14x2)	10	-
RP139X033	1/2"x(16x2)*	10	-
RP139X035	1/2"x(18x2)	5	-
RP139X037	1/2"x(20x2)*	5	-
RP139X038	1/2"x(20x2,5)	5	-
RP139X049	3/4"x(26x3)*	5	-

## RP144



45°

GIACOTHERM, GIACOFLEX,



		■	☐
RP144X009	26x3*	5	-
RP144X011	32x3*	5	-

## RP150



GIACOTHERM, GIACOFLEX



		■	☐
RP150X002	14x2	10	-
RP150X003	16x2*	10	-
RP150X004	16x2,2	10	-
RP150X005	18x2	10	-
RP150X007	20x2*	10	-
RP150X008	20x2,5	10	-
RP150X009	26x3*	5	-
RP150X011	32x3*	5	-
RP150Y012	40x3,5	2	-
RP150Y013	50x4	2	-
RP150Y014	63x4,5	2	-

## RP128



90°  
16  
GIACOTHERM, GIACOFLEX



30 cm.

		■	☐
RP128X034	(16x2)x16*	1	50





ISO 9001



## RP158



90°

16

GIACOTHERM, GIACOFLEX



Lenght 30 cm.

		□	⊞
RP158X034	(16x2)x16x(16x2)*	1	50

## RP151



GIACOFLEX,

GIACOTHERM,



		■	□
RP151X041	(16x2)x(14x2)x(14x2)	10	-
RP151X042	(16x2)x(14x2)x(16x2)	10	-
RP151X045	(16x2)x(20x2)x(16x2)*	10	-
RP151X046	(16x2)x(20x2,5)x(16x2)	10	-
RP151X063	(20x2)x(16x2)x(16x2)*	10	-
RP151X064	(20x2)x(16x2)x(20x2)*	10	-
RP151X065	(20x2)x(20x2)x(16x2)*	10	-
RP151X067	(20x2)x(26x3)x(20x2)*	5	-
RP151X073	(20x2,5)x(16x2)x(16x2)	10	-
RP151X074	(20x2,5)x(16x2)x(20x2,5)	10	-
RP151X075	(20x2,5)x(20x2,5)x(16x2)	10	-
RP151X077	(20x2,5)x(26x3)x(20x2,5)	5	-
RP151X084	(26x3)x(20x2)x(20x2)*	5	-
RP151X085	(26x3)x(16x2)x(26x3)*	5	-
RP151X086	(26x3)x(20x2)x(26x3)*	5	-
RP151X087	(26x3)x(20x2,5)x(20x2,5)	5	-
RP151X088	(26x3)x(20x2,5)x(26x3)	5	-
RP151X089	(26x3)x(26x3)x(20x2)*	5	-
RP151X092	(32x3)x(26x3)x(26x3)*	5	-
RP151X093	(32x3)x(26x3)x(32x3)*	5	-
RP151Y146	(40x3,5)(26x3)(40x3,5)	2	-
RP151Y147	(40x3,5)(32x3)(40x3,5)	2	-
RP151Y148	(40x3,5)(32x3)(32x3)	2	-
RP151Y149	(40x3,5)(40x3,5)(32x3)	2	-
RP151Y157	(50x4)(26x3)(50x4)	2	-
RP151Y158	(50x4)(32x3)(50x4)	2	-
RP151Y159	(50x4)(40x3,5)(50x4)	2	-
RP151Y167	(63x4,5)(32x3)(63x4,5)	2	-
RP151Y168	(63x4,5)(40x3,5)(63x4,5)	2	-
RP151Y169	(63x4,5)(50x4)(63x4,5)	2	-



**RP153**



GIACOFLEX

GIACOTHERM,



		■	☐
RP153X033	(16x2)x1/2"x(16x2)*	10	-
RP153X034	(16x2,2)x1/2"x(16x2,2)	10	-
RP153X035	(18x2)x1/2"x(18x2)	10	-
RP153X037	(20x2)x1/2"x(20x2)*	10	-
RP153Y064	(40x3,5)(11/4M)(40x3,5)	2	-
RP153Y075	(50x4)(11/2M)(50x4)	2	-
RP153Y088	(63x4,5)(2M)(63x4,5)	2	-

**RP154**



GIACOFLEX

GIACOTHERM,



		■	☐
RP154X033	(16x2)x1/2"x(16x2)*	10	-
RP154X034	(16x2,2)x1/2"x(16x2,2)	10	-
RP154X035	(18x2)x1/2"x(18x2)	10	-
RP154X037	(20x2)x1/2"x(20x2)*	10	-
RP154X038	(20x2,5)x1/2"x(20x2,5)	10	-
RP154X049	(26x3)x3/4"x(26x3)*	5	-
RP154X059	(32x3)x1"x(32x3)*	5	-
RP154Y064	(40x3,5)(11/4F)(40x3,5)	2	-
RP154Y075	(50x4)(11/2F)(50x4)	2	-
RP154Y088	(63x4,5)(2F)(63x4,5)	2	-

## RP165



GIACOTHERM, GIACOFLEX,



RP165X005	20x2	10	-
-----------	------	----	---

## RP179E



EUROCONE

GIACOTHERM, GIACOFLEX,



RP179X103	3/4"Ex(16x2)*	10	-
RP179X106	3/4"Ex(20x2)*	10	-
RP179X107	3/4"Ex(20x2,5)	10	-

## RP179SP



GIACOTHERM, GIACOFLEX,



RP179Y041	3/8"x(14X2)	10	-
RP179Y043	3/8"x(16x2)*	10	-
RP179Y050	1/2"x(14X2)	10	-
RP179Y051	1/2"x(12x1,1)	0	-
RP179Y052	1/2"x(16x1,5)	10	-
RP179Y053	1/2"x(16X2)*	10	-
RP179Y066	3/4"x(20x2)*	10	-
RP179Y069	3/4"x(26x3)*	10	-
RP179Y056	1/2" x20x2	10	360
RP179Y063	3/4" x16x2	10	200



### RP179TR



GIACOTHERM, GIACOFLEX,



		■	☐
RP179X020	16x(14x2)	10	-
RP179X021	16x(12x1,1)	10	-
RP179X022	16x(16x1,5)	10	-
RP179X023	16x(16x2)*	10	-
RP179X032	18x(16x1,5)	10	-
RP179X035	18x(18x2)	10	-
RP179X037	18x(20x2,5)	10	-

### RP18



GIACOFLEX,

GIACOTHERM,



		■	☐
RP18X033	1/2"x(16x2)*	10	-
RP18X037	1/2"x(20x2)*	10	-
RP18X038	1/2"x(20x2,5)	10	-
RP18X049	3/4"x(26x3)*	5	-

### RP19



90°

GIACOFLEX,

GIACOTHERM,



		■	☐
RP19X033	1/2"x(16x2)*	10	-
RP19X037	1/2"x(20x2)*	10	-
RP19X038	1/2"x(20x2,5)	10	-
RP19X049	3/4"x(26x3)*	5	-

## RP20



GIACOFLEX,

GIACOTHERM,



		■	☐
RP20X033	16x2*	10	-
RP20X077	20x2*	10	-
RP20X099	26x3*	5	-

## RP173



: H174AX001 - H174BX001 - H174CX001

		■	☐
RP173Y033	16x6/2	1	50
RP173Y037	20x20/2	1	50

## RP200



		■	☐
RP200Y002	16-20-26 mm	1	25

## RP200-1



		■	☐
RP200Y022	16-20-26mm	1	-
RP201Y000	12V battery supply for rp200y002	1	-
RP201Y022	230V local power source for RP200Y022	1	-



**RP202**



RP200

TH

		■	■
RP202Y014	14	1	-
RP202Y016	16	1	-
RP202Y017	17	1	-
RP202Y018	18	1	-
RP202Y020	20	1	-
RP202Y026	26	1	-
RP202Y032	32	1	-
RP202Y040	40 U	1	-

**RP204**



( 40mm)

		■	■
RP204Y001	0-40 mm	1	-

**RP205**



GIACOTHERM, GIACOFLEX,

		■	■
RP205Y001	0-20	1	-

**RP209**



GIACOTHERM, GIACOFLEX,

		■	■
RP209Y001	(14x2)-(20x3)	1	5
RP209Y002	(26x3)-(32x3)	1	5

## RP209R



HANDLE



CUTTERS

:  
16 2, 20 2 26 3.

		■	☐
RP209Y007	16x2-20x2-26x3	1	-
RP209Y008	HANDLE	1	-
RP209Y009	BOX	1	-
RP209Y014	14x2	1	-
RP209Y016	16x2	1	-
RP209Y018	18x2	1	-
RP209Y020	20x2	1	-
RP209Y026	26x2	1	-

## RP208



		■	☐
RP208Y014	14x2	1	-
RP208Y016	16x2	1	50
RP208Y018	18x2	1	50
RP208Y020	20x2	1	-





R990    RP204,



- A.
- B.
- C.

RP205

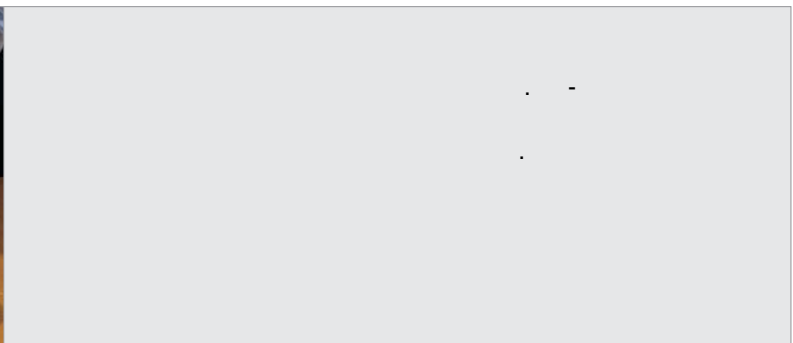
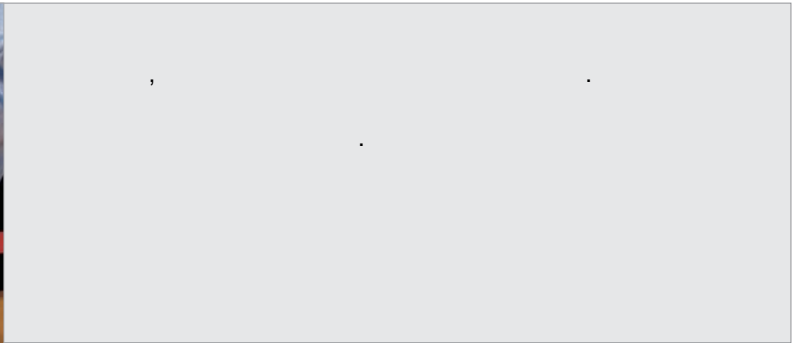
RP209

( )



( )







1.

RP200      RP200-1

RP202 (TH      ),

2.

1)

2)

3)

4)

5)

6)

GIACOMINI  
UNI EN ISO 9001:2000  
1994/44/CE, 2001/95/CE 85/374/CEE.

RP202.

GIACOMINI



**GIACOMINI SPA**  
Via per Alzo,39  
28017 San Maurizio d'Opaglio (NO) ITALY  
tel. 0322 923111 - fax 0322 96256  
e-mail: [info@giacomini.com](mailto:info@giacomini.com)  
internet: [www.giacomini.com](http://www.giacomini.com)

1618

· ” ”  
· “ ” 253  
./ : 02 / 85 69 174  
· : +359 878 20 55 33  
[sales@terratherm-bg.com](mailto:sales@terratherm-bg.com)  
[www.terratherm-bg.com](http://www.terratherm-bg.com)